

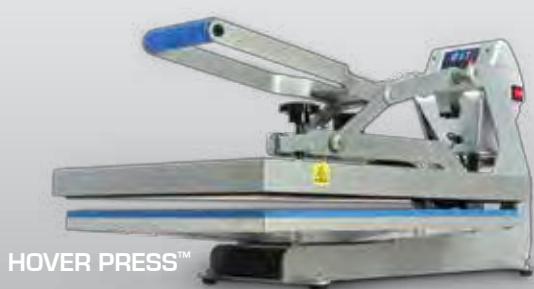
AUTO OPEN SERIES

CLAM/HOVER PRESS™

OPERATOR'S MANUAL



16" x 20"



HOVER PRESS™



11" x 15"



16" x 16"

STAHL'S
Hotronix®

a GroupeSTAHL company

Safety Instructions

When using your heat press,
basic precautions should always be followed,
including the following:

1. Read all instructions.
2. Use heat press only for its intended use.
3. To reduce the risk of electric shock, do not immerse the heat press in water or other liquids.
4. Never pull cord to disconnect from outlet, instead grasp plug and pull to disconnect.
5. Do not allow cord to touch hot surfaces, allow heat press to cool completely before storing.
6. Do not operate heat press with a damaged cord or if the equipment has been dropped or damaged. To reduce the risk of electric shock, do not disassemble or attempt to repair the heat press. Take it to a qualified service person for examination and repair. Incorrect assembly or repair could increase the risk of fire, electric shock, or injury to persons when the equipment is used.
7. This appliance is not intended for use by persons (including children) with reduced physical, sensory or mental capabilities, or lack of experience and knowledge, unless they have been given supervision or instruction concerning use of the appliance by a person responsible for their safety.
8. Close supervision is necessary for any heat press being used by or near children. Do not leave equipment unattended while connected.
9. Burns can occur when touching hot metal parts.
10. To reduce the likelihood of circuit overload, do not operate other high voltage equipment on the same circuit.
11. If an extension cord is necessary, then a 20 amperage rated cord should be used. Cords rated for less amperage may overheat. Care should be taken to arrange the cord so that it cannot be pulled or tripped over.

Product Warranty Registration

Log onto www.Hotronix.com/registration
You must provide the Hotronix® heat press
serial number and model information.

Safety Instructions	2
Machine View	4
Control Panel Guide	5
Operating Instructions	6-12
Connecting the System	6
Turning the System On	7
Adjusting the Temperature	8
Adjusting the Time	9
Adjusting the Pressure	10
Printing and Pressing (Auto Open Clam)	11
Pressing (Hover Press™)	12
Auto Open Clam/Hover Press™ Overview	13
Replacement Parts List and Location Guide	14-17
Electrical Schematic	18
Contact	19



FRONT VIEW



LED Display

Located on the opposite side of the press

Circuit Breaker

Power Supply

Lift Handle

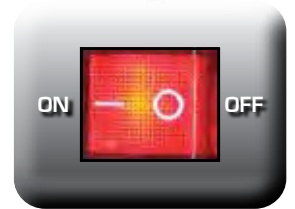
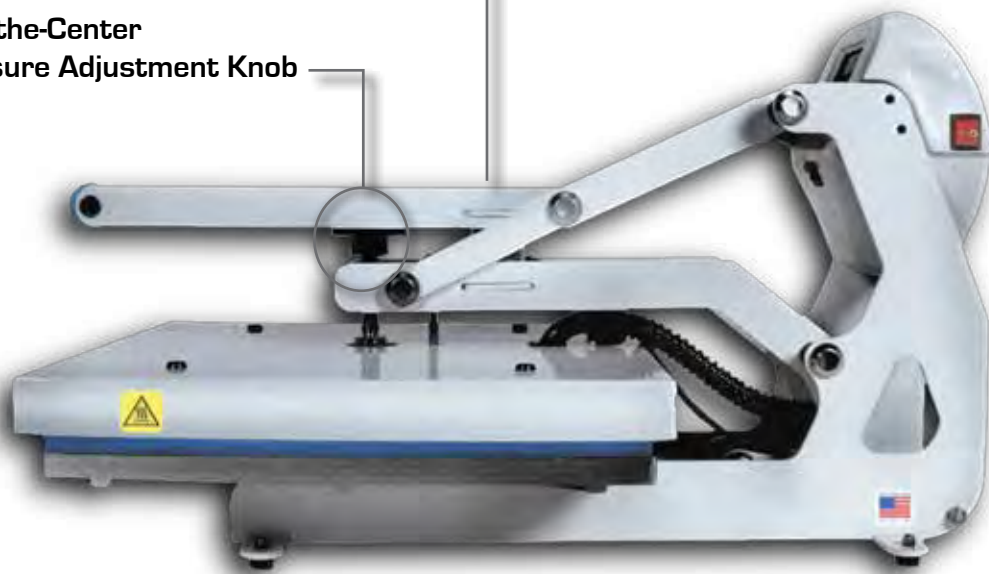


SIDE VIEW

Over-the-Center Pressure Adjustment Knob

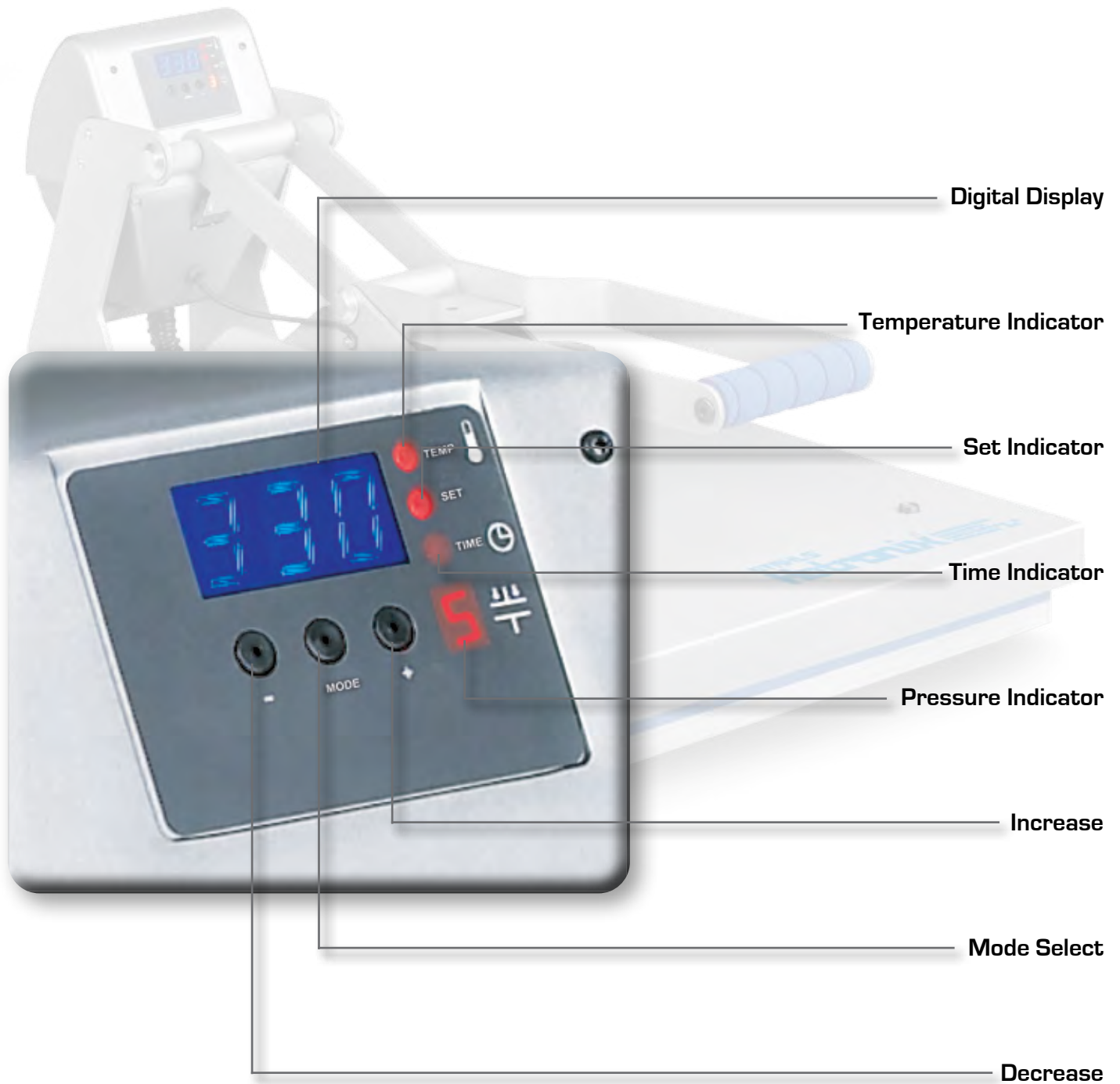
12V Magnet

Power ON/OFF Switch



AUTO OPEN SERIES

Control Panel Guide



AUTO OPEN CLAM/HOVER PRESS™

The Auto Open Clam/Hover Press™ Operating Instructions are designed with the user in mind. Carefully read and follow the step-by-step instructions for best results.



- To avoid burns, do not touch the heated platen during use.
- Keep hands clear of the upper platen of the press during platen lock down as the pressure may cause injury.
- Press should be placed on a sturdy, suitable stand at least 36”L x 24”W x 29”H.
- Work area must be kept clean, tidy and free of obstructions.
- Power supply cord must be disconnected before cleaning or servicing press.

Connecting the System

1. CONNECT THE POWER CORD

1.1 Connect the power cord into a properly grounded electrical outlet with a sufficient amperage rating.

■ VOLTAGE

120 Volt - The Auto Open Clam/Hover Press™ requires a full 20 amp grounded circuit for 120 volt operation.

220 Volt - The Auto Open Clam/Hover Press™ requires a full 10 amp grounded circuit for 220 volt operation.

■ **EXTENSION CORDS** If used, should be as short as possible and not less than 12 gauge. Heavy duty cords are recommended.

■ **CIRCUITS** that have less than 15 amps or that have other high demand equipment or appliances (especially more than one heat seal machine) plugged in, should not be used.

NOTE: If the supply cord is damaged, it must be replaced by the manufacturer, its service agent or a similarly qualified person in order to avoid hazard. Use SJT type rated 300 V cord for replacement.

CAUTION Failure to follow these instructions will cause:

1. Erratic controller functions.

2. Inaccurate displays and slow heat-up.

3. The circuit breaker to disengage.

Turning the System On

2. SWITCH THE SYSTEM ON

- See the diagram below for switch placement.

NOTE: The Auto Open Clam/Hover Press™ is equipped with an Auto Sleep Mode. When the machine is not in use for a period of two hours, it will enter an energy saving sleep mode. To restore to normal operating mode, press any button on the display panel and allow the heat press to return to the target temperature

- 2.1 Locate the packaging bolt positioned on the top-center of the press. Packaging bolt must be removed prior to turning the press on or operating the press.



- 2.2 Now, locate the Power ON/OFF Switch on the side of the press, then turn the Power Switch on.



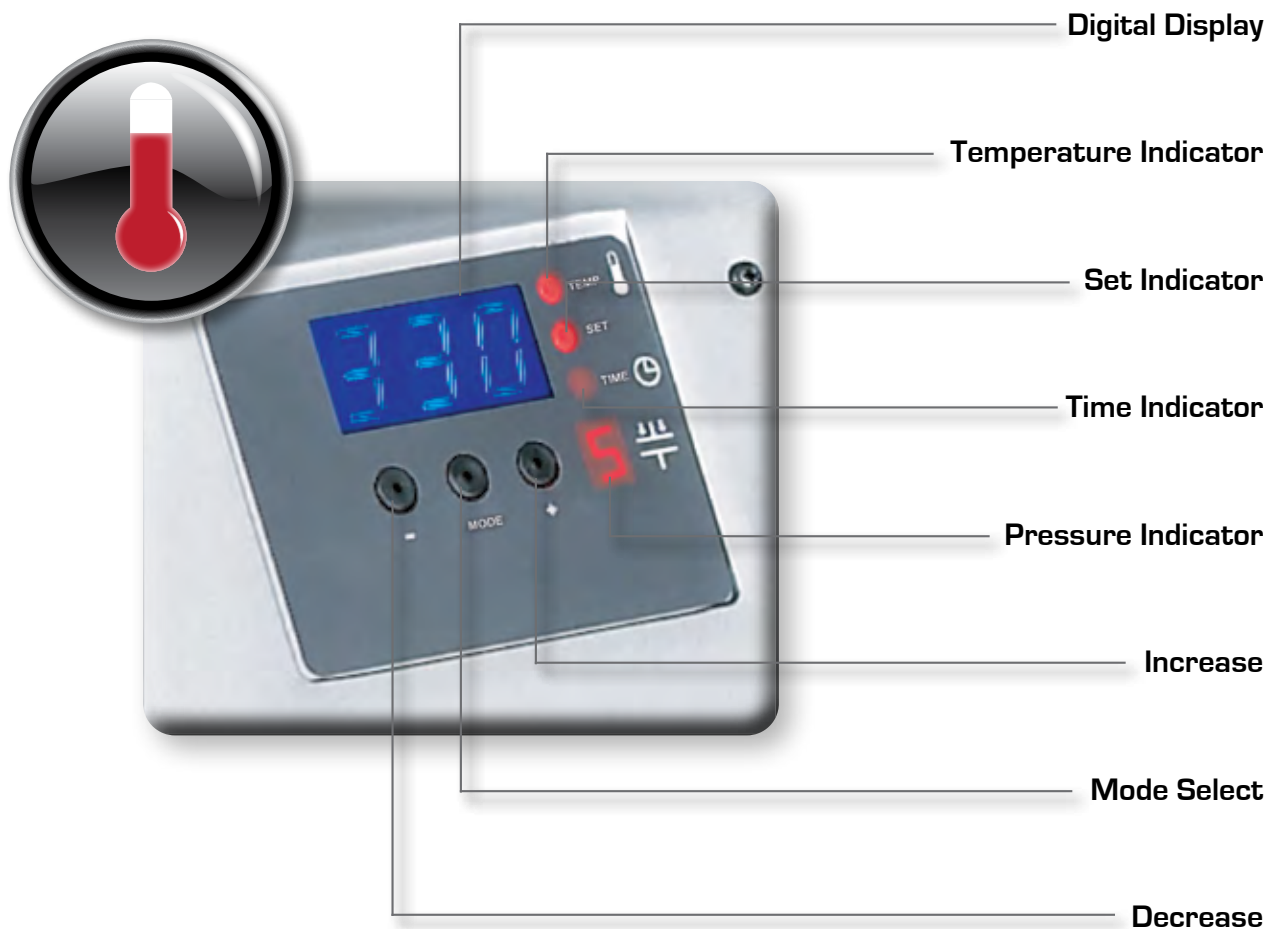
Power ON/OFF Switch



Adjusting the Temperature

3. ADJUST THE TEMPERATURE

- Locate the LED Display on the Press.
- 3.1 Press the Mode Select button located in the center of the Control Panel.
The (SET) and (TEMP) lights located next to the display will illuminate indicating you are in the adjust temperature mode.
- 3.2 Next, press the [-] button located to the left of the Mode Select button to lower the temperature setting, or press the [+] button located to the right of the Mode Select button to raise the temperature setting.
The temperature can be set from 170° F (76° C) to 430° F (220° C).
- The LED will display changes as you make them.



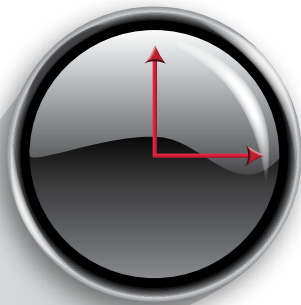
Adjusting the Time

4. ADJUST THE TIME

- The Auto Open Clam/ Hover Press™ has two time settings. This will allow you to set different times when a two step application is required. For single hit applications, you simply set both time settings the same.

4.1 Once you have adjusted the temperature, press the Mode Select button again. This will advance you to the Time #1 mode. The set and time lights will illuminate, indicating that you are in the Time # 1 mode.

4.2 Adjust the time in the same manner that you adjusted the temperature. Once you have the Time # 1 set, push the Mode Select button again to advance to the Time # 2 setting. All three red LED lights will illuminate indicating that you are in the Set Time # 2 Mode. Select the desired time and push the Mode Select button again to exit the time settings. All lights will be off and the press will return to the print mode.



REMEMBER: Press the Mode Select button ONCE to advance to the Adjust Temperature Mode



4.3 Press the Mode Select button A SECOND TIME to advance to the Time #1 mode.

4.4 Press the Mode Select button A THIRD TIME to advance to the Time #2 Settings.

4.5 Press the Mode Select button A FOURTH TIME to return to the Heat Up/Operating Mode.

Adjusting the Pressure

5. ADJUST THE PRESSURE

5.1 First, locate the LED Display on the Press.
(See figure 1)

- The Pressure Adjustment Knob is located in the center of the heat platen
(See figure 2)

5.2 Adjust the pressure by turning the knob clockwise to increase pressure and counter clockwise to decrease pressure.

PRESSURE READOUT

A visual Pressure Readout is located on the lower right side of the LED Display. When the handle is locked into the Print Position, a pressure number will be displayed. Readout will be on a scale of 0 - 9. A 0 Pressure readout would indicate no pressure at all and 9 would indicate very heavy pressure.
(See figure 1)



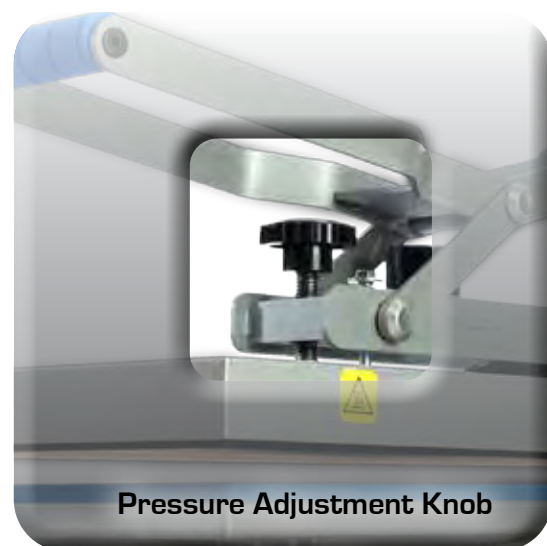
Figure 1



1 - 3 = Light Pressure
4 - 7 = Medium Pressure
8 - 9 = Heavy Pressure

5.3 To adjust the Pressure, simply turn the Pressure Adjustment Knob to the right or clockwise to increase the Pressure and to the left or counter clockwise to decrease the Pressure. The readout will display the Pressure when locked down in the print position.

REMEMBER: To allow for the thickness of your garment when adjusting the pressure.



Pressure Adjustment Knob

Figure 2

WARNING: Structural damage caused by excessive pressure is not covered under the limited warranty!

Printing / Pressing

6a. PRESS (FOR AUTO OPEN CLAM ONLY)

NOTE: This step pertains to the Auto Open Clam Press only. For printing/pressing instructions on the Hover Press™, please refer to page 12.

- Once your equipment has reached the designated temperature:

6.1 Position the garment and application and proceed to press.

6.2 Lower and lock the heat platen into the press position.
This procedure will start the automatic timing process.

- The timer will automatically count down and lift the heat platen into the “UP” position when the press cycle is complete.

NOTE: Please be aware after time is complete, gas shocks will automatically release the platen into the “UP” position.

- The time will automatically re-set and you are ready to continue with the next application.



Printing / Pressing

6b. PRESS (FOR HOVER PRESS™ ONLY)

NOTE: This step pertains to the Hover Press™ only. For printing/pressing instructions on the Auto Open Clam, please refer to page 11.

- Your Hover Press™ can be set up to utilize four different settings on hover or direct pressure. The options are listed below:

001 = Pressure (Time 1)
002 = Hover (Time 1)
003 = Hover (Time 1)
004 = Pressure (Time 1)

Pressure (Time 2)
Pressure (Time 2)
Hover (Time 2)
Hover (Time 2)

- Once you have decided what setting is best for your application (1,2,3 or 4), follow the simple steps below:

- 6.3 With Power switched to OFF position, hold down both Decrease [-] and Increase [+] mode buttons on the Control Panel. Switch power to ON position and continue to hold mode buttons down for 3-5 seconds.
- 6.4 Press the Mode (center) button once. The number 555 should appear on the display.
- 6.5 Press the mode (center) button again, at this time you may choose option 1,2,3 or 4 by pressing the increase [+] button. Once desired setting is selected, press the mode (center) button twice to return to the temperature mode (step 3).
- 6.6 Once your equipment has reached the designated temperature, position the garment and application and proceed to press and/or hover.
- 6.7 Lower and lock the heat platen into the press position. This procedure will start the automatic timing process.
- 6.8 The timer will automatically count down and lift the heat platen into the "UP" position when the first press or hover cycle is complete. Lower and lock the heat platen for the second press or hover cycle. The timer will automatically count down and lift the heat platen when the second cycle is complete.

CAUTION: Please be aware after time is complete, gas shocks will automatically release the platen into the "UP" position.

NOTE: The time will automatically re-set and you are ready to continue with the next application.



Auto Open Clam/Hover Press™ Overview



HOTRONIX® AUTO OPEN CLAM

Patented, state-of-the-art auto open feature enables you to multi-task, helps avoid over application and ruined garments, bringing you the convenience of an airpress without an air compressor.

11" x 15"

- Shipping Dimensions: 31"L x 21"W x 21"H
- Shipping Weight: 72 lb

16" x 16"

- Shipping Dimensions: 35"L x 25"W x 22"H
- Shipping Weight: 90 lb.

16" x 20"

- Shipping Dimensions: 35"L x 25"W x 22"H
- Shipping Weight: 100 lb.

Features

- Twin Timer™ feature
- Patented, Magnetic Auto Open feature
- Patented, Magnetic Assist Lock Down
- 3/4" thick Teflon® coated upper platen
- Digital time and temperature controls
- Space saving clam shell design
- Wide opening for easy layout
- Quick change lower platen
- Platinum RTD heat sensor
- UL/ULC/CE/RoHS Compliant
- Cast in tubular heating element every 2" to ensure no cold spots
- Patented, Over-the-Center Pressure Adjustment
- CE approved
- Temp. range 170°- 430°F (76°-220°C)
- °F or °C available



HOTRONIX® HOVER PRESS™

Maximize the production of digital direct-to-garment printing with the new Hotronix® Hover Press™, a brand new patent pending heat press manufactured exclusively by Stahls' Hotronix®. Includes digital time, temperature and pressure displays and allows the operator to set the press for two functions: hover or pressure. The Hotronix® Hover Press™ also features the Twin Timer™ function which allows the user to program two independent time settings to count down any two-step process without resetting the timer.

16" x 20"

- Shipping Dimensions: 35"L x 25"W x 22"H
- Shipping Weight: 100 lb.

Features

- New Twin Timer™ feature
- Patented, Magnetic Assist Lock Down
- Assisted Auto Open feature
- Digital time and temperature controls
- Live Digital Pressure Display
- Twin Timer™ for Two Step Applications with the 999 second Dwell Time.
- Patented, Over-the-Center Pressure Adjustment
- Space saving clam shell design
- Wide opening for easy layout
- Platinum RTD heat sensor
- UL/ULC/CE/RoHS Compliant
- Cast in tubular heating element every 2" to ensure no cold spots
- Temp. range 170°- 430°F (76°-220°C)
- °F or °C available

International voltage available, call for pricing

LIFETIME WARRANTY on heating element • 5 yrs. on framework • 2 yrs. on circuit board • 1 yr. parts & labor

AUTO OPEN SERIES

Clam Replacement Parts List

Item #	Part Name	Part #	Qty.
1	Hex Soc Button HD # 10 - 32 x 1/2"	3 - 1011 - 164	4
2	Rubber Foot	1 - 1256	4
3	Acorn Hex Nut	3 - 1011 - 182	4
4 A-B	Hex Cap HD Screw - 3/8" - 16 x 3/4" 16 x 20 16 x 16	3 - 1011 - 41	2
5	Lock Spring Washer	2 - 1006 - 43	2
6	Hex Soc Screw 1/4 - 20 x 1 1/4"	3 - 1011 - 62	4
7 A-B	Lower Platen Spacer 16 x 20 16 x 16	1 - 1279	2
7 C	Lower Platen Spacer 11 x 15	0140	1
8	Nylon Hex Nut	2 - 1006 - 20	2
9	Ball Stud - 10mm	1 - 1939	4
10 A-B	Gas Spring 16 x 20 16 x 16	1 - 2243	2
10 C	Gas Spring 11 x 15	1 - 2246	2
11	Steel Spacer	1 - 2114	2
12	Bridle Links	KIT 3 - 6906	2
13	Nylon Washer	1 - 1048 - 3	6
14	Threaded Pin 1/4" - 20 x 3"	1 - 2091	1
15	PVC Spacer 1/2" I.D. x 2.48	1 - 2098	1
16	Threaded Pin 3 5/8" x .5" Dia. 1/4" - 20	1 - 2092	1
17 A	Lower Platen 16 x 20	2 - 1029	1
17 B	Lower Platen 16 x 16	2 - 1059	1
17 C	Lower Platen 11 x 15	3 - 1199 - 1	1
18 A	Silicone Pad 16 x 20	1 - 2136	1
18 B	Silicone Pad 16 x 16	1 - 2135	1
18 C	Silicone Pad 11 x 15	1 - 2134	1
19 A	Heat Platen 16 x 20	2 - 1002 - 3	1
19 B	Heat Platen 16 x 16	2 - 1015	1
19 C	Heat Platen 11 x 15	3 - 1199	1
20 A	Heat Platen Cover 16 x 20	3 - 1332	1
20 B	Heat Platen Cover 16 x 16	3 - 1333	1
20 C	Heat Platen Cover 11 x 15	3 - 1331	1
21	Finish Washer	1 - 1063	4
22	Cover Screw 10 - 24 x 1/2"	3 - 1011 - 217	4
23	Adjustment Spindle	2 - 1081	1
24	Pressure Adj. Knob	1 - 1012	1
25	Safety Bolt " - 18 x 4 1/2"	3 - 1011 - 238	1
26 A-B	Elbow 90 degree with tubing 16 x 20 16 x 16	1 - 1940	1
26 C	Topaz Connector with flex tubing 11 x 15	1 - 1353	1
27	Hex Soc HD Shoulder Screw - 5/16" x 1/2"	3 - 1011 - 233	1
28	Steel Pin 1/2" Dia. x 4.38	1 - 2093	2
29	Soc HD Cap Screw 1/4" - 20 x 3/8"	3 - 1011 - 215	2
30	Hex HD Nut - 1/4" - 20	2 - 1006 - 12	2
31	Steel Pin - 1/2" Dia. x 6.45	1 - 2094	2
32	PVC Spacer - 1/2" I.D. x 1.1	1 - 2097	4
33	Silicone Pad - 5/16" I.D. x 1 3/4" O.D. x 1/4"	1 - 2104	1
34	Electromagnet	1 - 1945 - 1	1
35 A-B-C	Adjustment Arm Assembly 16 x 20 16 x 16 11 x 15	KIT 3 - 6903	1
36	JCN Nut	2 - 1006 - 2	2
37	Blue Foam Grip	1 - 2115	1
38	PVC Spacer 1/2" I.D. x 5"	1 - 2096	1
39	All Thread Pin - 1/4" - 20 x 4 3/4"	1 - 1042 - 1	1
40	Lift Links	KIT 3 - 6905	2
41	Hucap 1/2"	1 - 1107 - 1	8
42	Magnet	1 - 1219	1
43	Magnet Bracket	1 - 2085	1
44 A-B-C	Handle Assembly 16 x 20 16 x 16 11 x 15	KIT 3 - 6904	1
45	Phillips Pan HD Screw - #6-32 x 1/2"	3 - 1011 - 152	4
46	STX Housing	4 - 1172	1
47 A-B-C	Base Assembly 16 x 20 16 x 16 11 x 15	KIT 3 - 6901	1
48	Proximity Switch	1 - 1211	1
49	Terminal Block	1 - 1290	1
50	Triac	1 - 1059	1
51	Controller Bracket	2 - 1661	1
52	SSTT Control Board	1 - 2129	1
53	On/Off Switch	1 - 2087	1
54	Circuit Breaker	1 - 1331	1
55	Display Overlay	1 - 2018 - 1	1
56	Probe	1 - 1272 - 1	1

AUTO OPEN SERIES

Clam Parts Location Guide

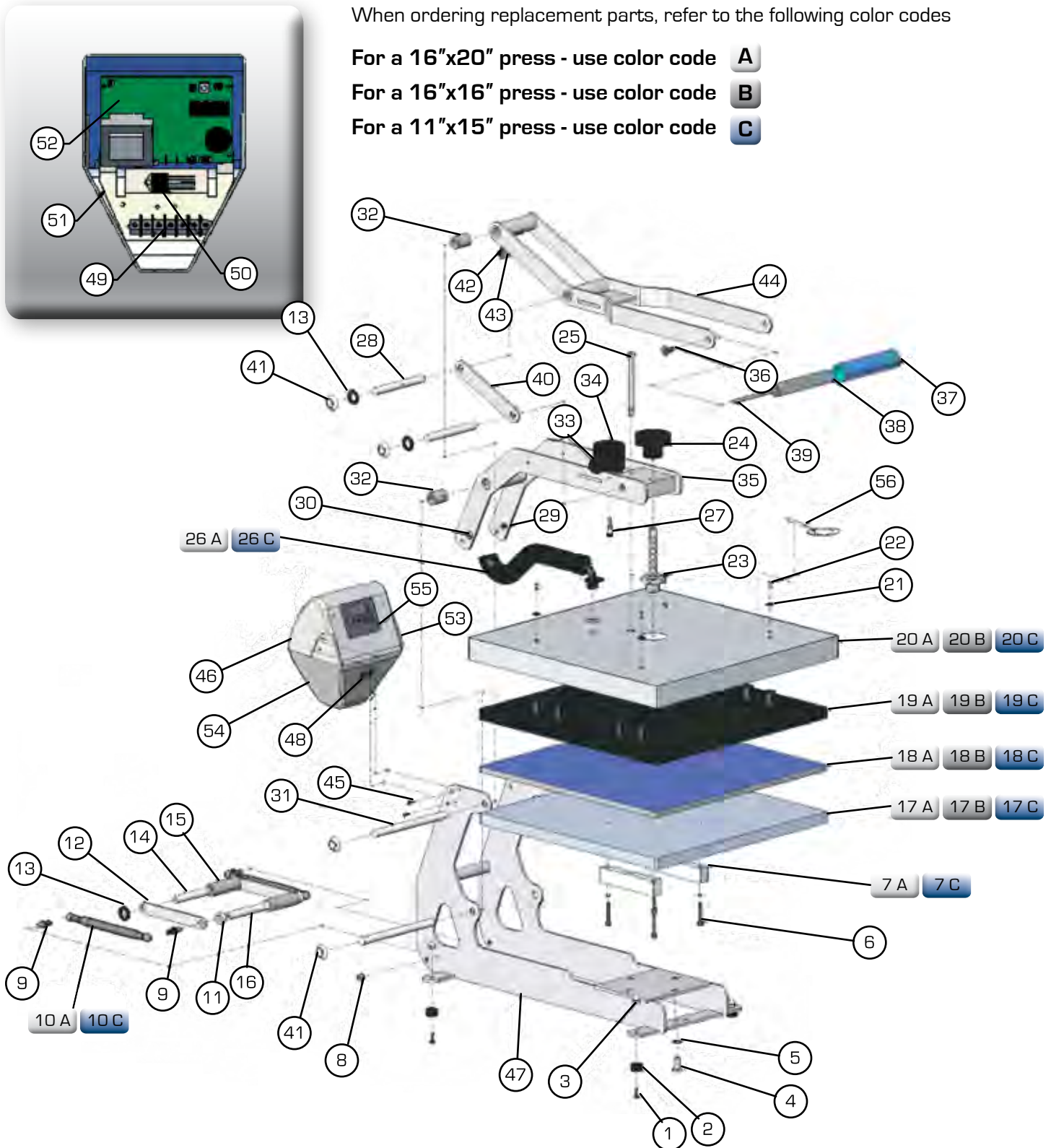
The Auto Open Clam is available in three sizes: **16 x 20, 16 x 16, 11 x 15**

When ordering replacement parts, refer to the following color codes

For a 16"x20" press - use color code **A**

For a 16"x16" press - use color code **B**

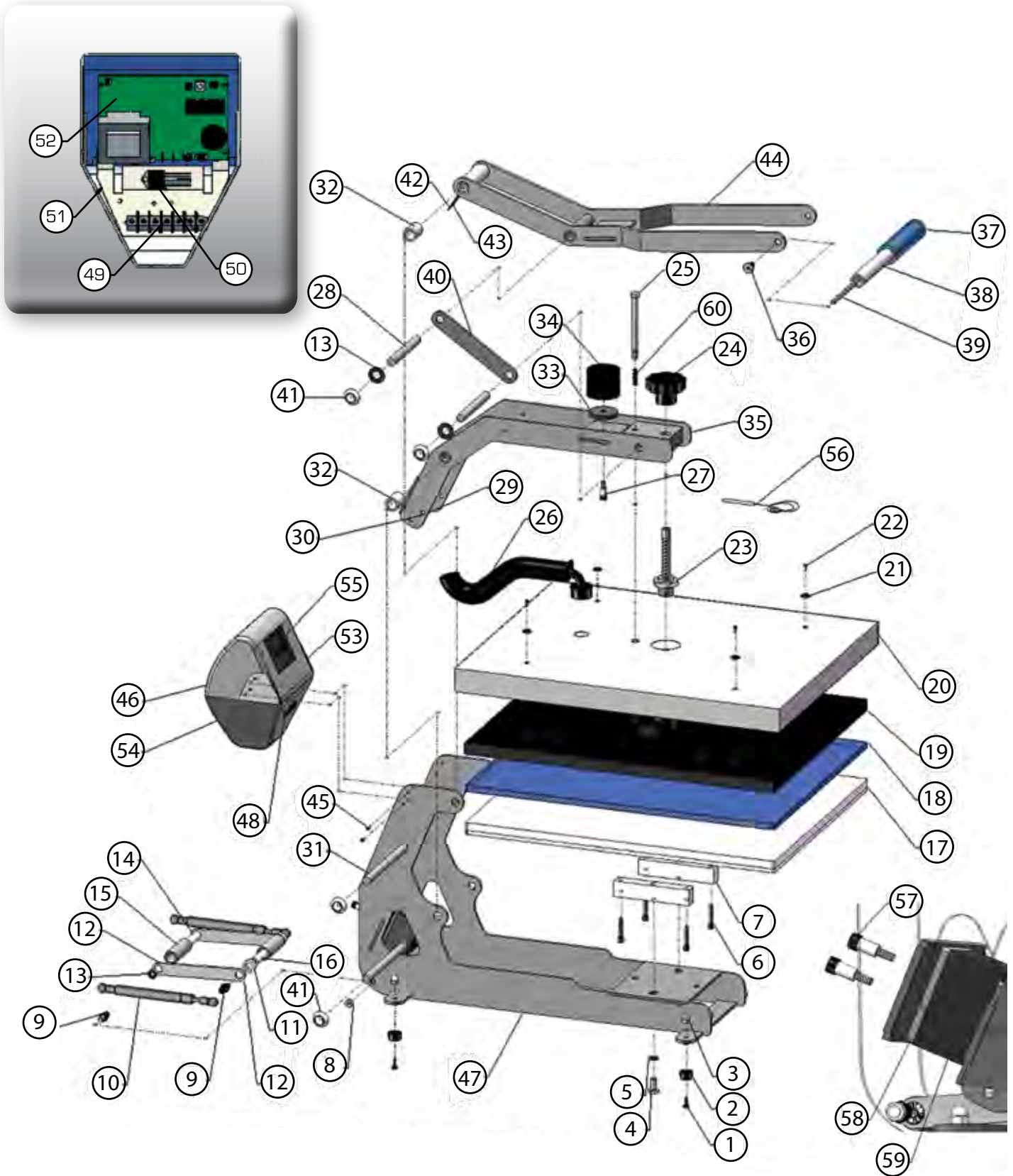
For a 11"x15" press - use color code **C**



AUTO OPEN™ SERIES Hover Press™ Replacement Parts List

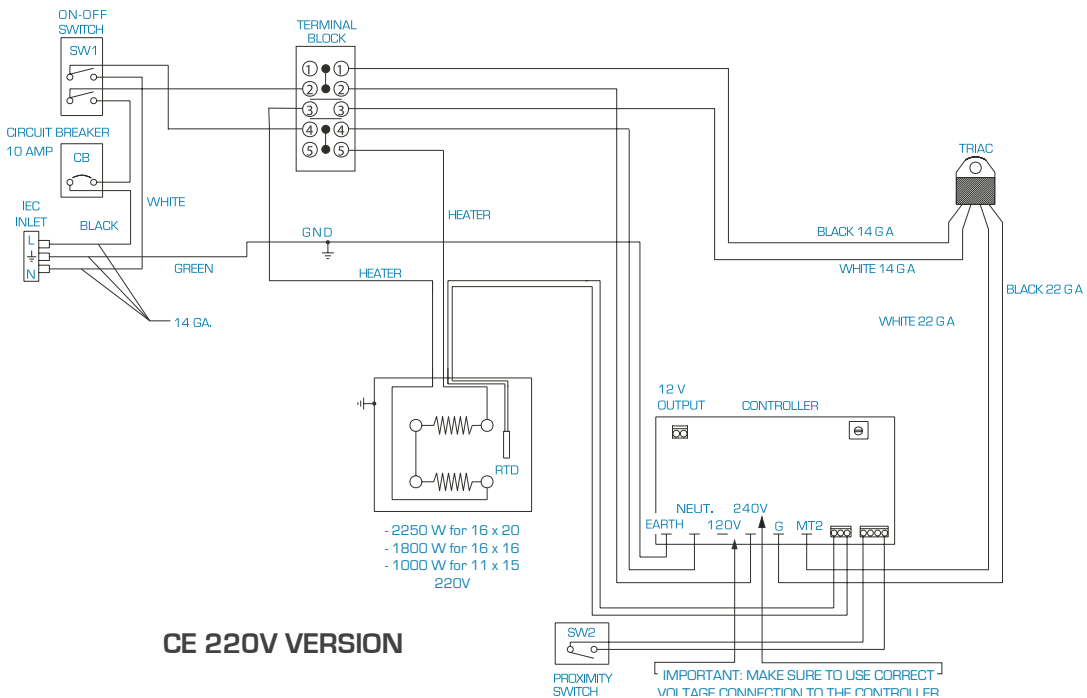
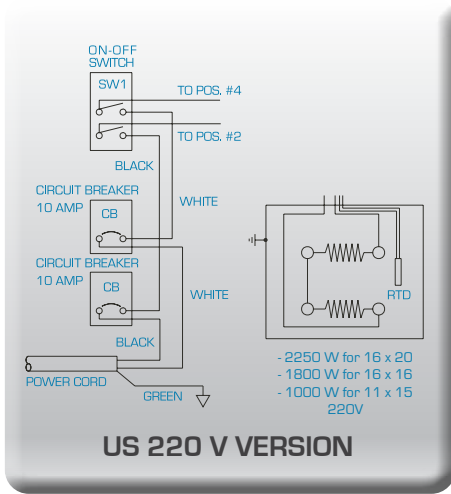
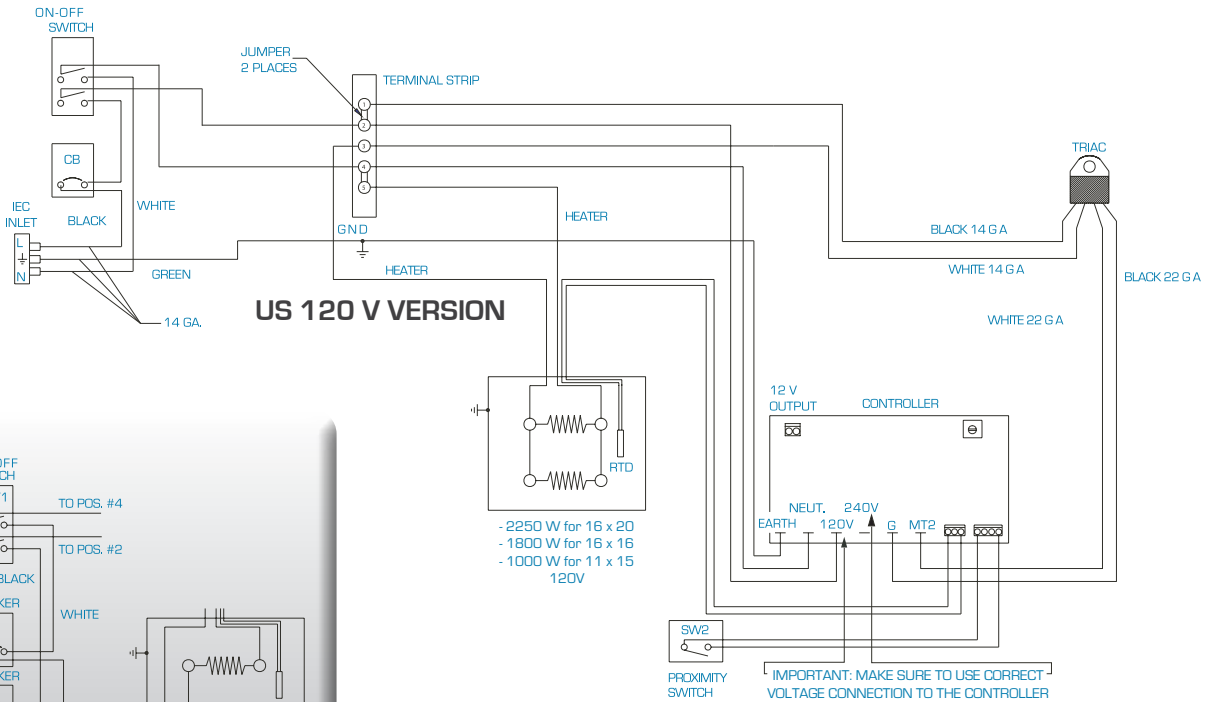
Item #	Part Name	Part #	Qty.
1	Hex Soc Button HD # 10 - 32 x 1/2"	3 - 1011 - 164	4
2	Rubber Foot	1 - 1256	4
3	Acorn Hex Nut	3 - 1011 - 182	4
4	Hex Cap HD Screw 3/8" - 16 x 3/4"	3 - 1011 - 41	2
5	Lock Spring Washer	2 - 1006 - 43	2
6	Hex Soc Screw 1/4 - 20 x 1 1/4"	3 - 1011 - 62	4
7	Lower Platen Spacer	1 - 1279	2
8	Nylon Hex Nut	2 - 1006 - 20	2
9	Ball Stud - 10mm	1 - 1939	4
10	Gas Spring	1 - 2243	2
11	Steel Spacer	1 - 2114	2
12	Bridle Links	KIT 3 - 6906	2
13	Nylon Washer	1 - 1048 - 3	6
14	Threaded Pin 1/4" - 20 x 3"	1 - 2091	1
15	PVC Spacer 1/2" I.D. x 2.48	1 - 2098	1
16	Threaded Pin 3 5/8" x .5" Dia. _1/4" - 20	1 - 2092	1
17	Lower Platen 16 x 20	2 - 1029	1
18	Silicone Pad 16 x 20 Blue	1 - 2136	1
19	Heat Platen 16 x 20	2 - 1002 - 3	1
20	Heat Platen Cover 16 x 20	3 - 1332	1
21	Finish Washer	1 - 1063	4
22	Cover Screw 10 - 24 x 1/2"	3 - 1011 - 217	4
23	Adjustment Spindle	2 - 1081	1
24	Pressure Adj. Knob	1 - 1012	1
25	Safety Bolt " - 18 x 4 1/2"	3 - 1011 - 238	1
26	Elbow 90 degree with tubing - 16 x 20	1 - 1940	1
27	Hex Soc HD Shoulder Screw 5/16" x 1/2"	3 - 1011 - 233	1
28	Steel Pin 1/2" Dia. x 4.38	1 - 2093	2
29	Soc HD Cap Screw 1/4" - 20 x 3/8"	3 - 1011 - 215	2
30	Hex HD Nut 1/4 " - 20	2 - 1006 - 12	2
31	Steel Pin 1/2" Dia. x 6.45	1 - 2094	2
32	PVC Spacer 1/2" I.D. x 1.1	1 - 2097	4
33	Silicone Pad 5/16" I.D. x 1 3/4" O.D. x 1/4"	1 - 2104	1
34	Electromagnet	1 - 1945 - 1	1
35	Adjustment Arm Assembly	KIT 3 - 6916	1
36	JCN Nut	2 - 1006 - 2	2
37	Blue Foam Grip	1 - 2115	1
38	PVC Spacer 1/2" I.D. x 5"	1 - 2096	1
39	All Thread Pin 1/4" - 20 x 4 3/4"	1 - 1042 - 1	1
40	Lift Links	KIT 3 - 6905	2
41	Hucap 1/2"	1 - 1107 - 1	8
42	Magnet	1 - 1219	1
43	Magnet Bracket	1 - 2085	1
44	Handle Assembly	KIT 3 - 6904	1
45	Phillips Pan HD Screw #6-32 x 1/2"	3 - 1011 - 152	4
46	STX Housing	4 - 1172	1
47	Base Assembly	KIT 3 - 6917	1
48	Proximity Switch	1 - 1211	1
49	Terminal Block	1 - 1290	1
50	Triac	1 - 1059	1
51	Controller Bracket	2 - 1661	1
52	SSTT Control Board	1 - 2129	1
53	On/Off Switch	1 - 2087	1
54	Circuit Breaker	1 - 1331	1
55	Display Overlay	1 - 2018 - 1	1
56	Probe	1 - 1272 - 1	1
57	Hex Soc HD Shoulder Screw 5/16 x 1/2"	3-1011-233	2
58	Silicone Pad	1-1561	1
59	Hover Electromagnet	1-2157	1
60	Compression Spring	1-2163	1

Hover Press™ Parts Location Guide



AUTO OPEN SERIES

Electrical Schematic



Contact Us

Stahls' Hotronix®
One Paisley Park
Carmichaels, PA 15320
U.S.A.

Technical Support
800 . 727 . 8520
Monday - Friday
8am - 7pm EST

Customer Service
800 . 727 . 8520
Monday - Friday
8am - 5pm EST

Replacement Parts
800 . 727 . 8520
8am - 7pm EST

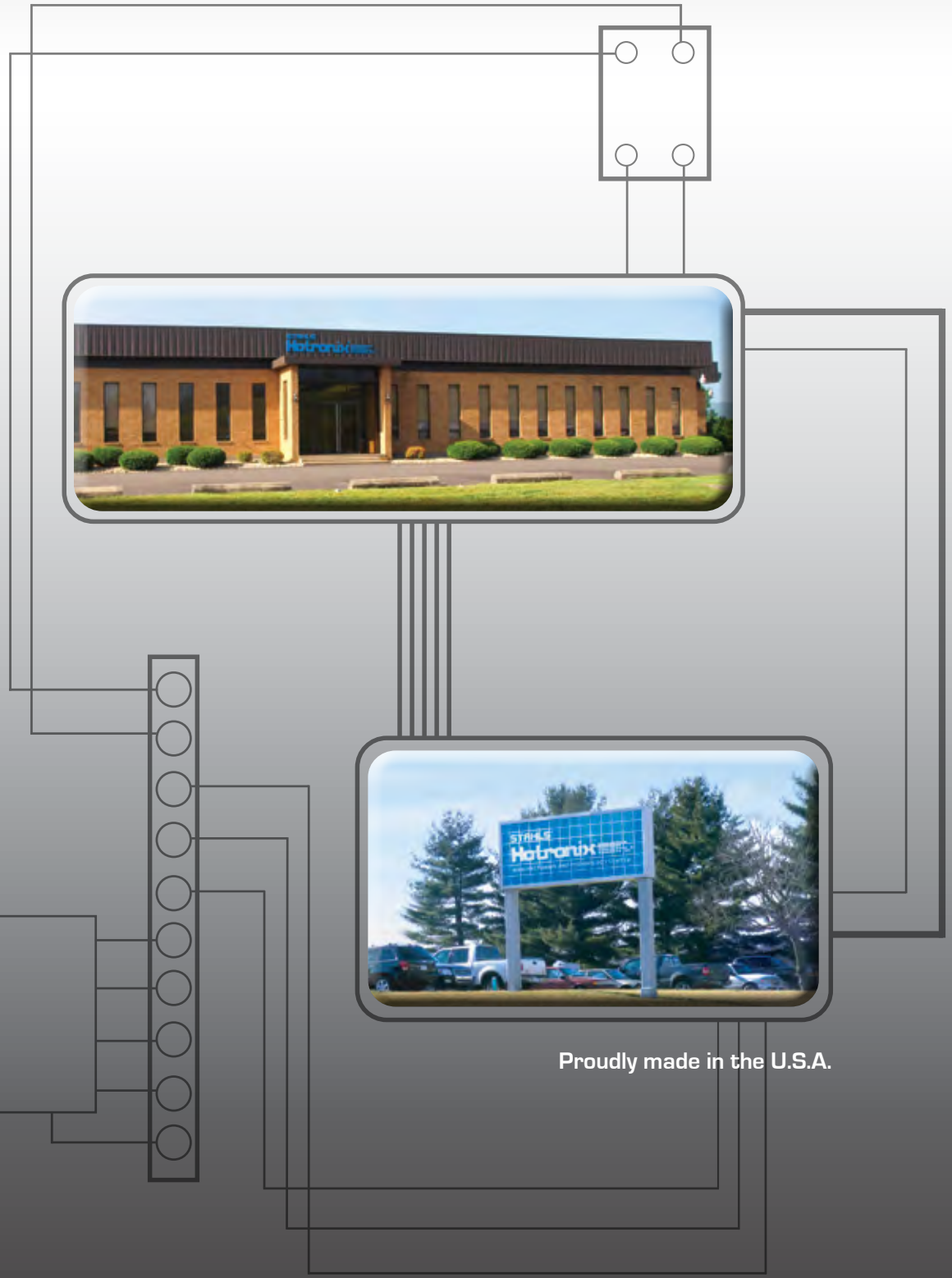
Web
Hotronix.com



This document includes multiple trademarks and describes equipment covered by many patents that are owned by GroupeSTAHL and/or its subsidiaries. GroupeSTAHL enforces its rights to protect these intellectual properties. © 2012

®

HOTRONIX



Proudly made in the U.S.A.

One Paisley Park . Carmichaels, PA 15320, U.S.A.
 Tech Support - Customer Service - Replacement Parts: 800 . 727 . 8520
 Web: Hotronix.com

STAHL'S
Hotronix[®]
 a GroupeSTAHL company

THIS PRODUCT IS BROUGHT TO YOU BY

NAZDAR
 SOURCEONE

VISIT US ONLINE
 SourceOne.Nazdar.com

CALL US
 888-578-5713

© 2022 Nazdar. All Rights Reserved.
 Specifications subject to change without notice.